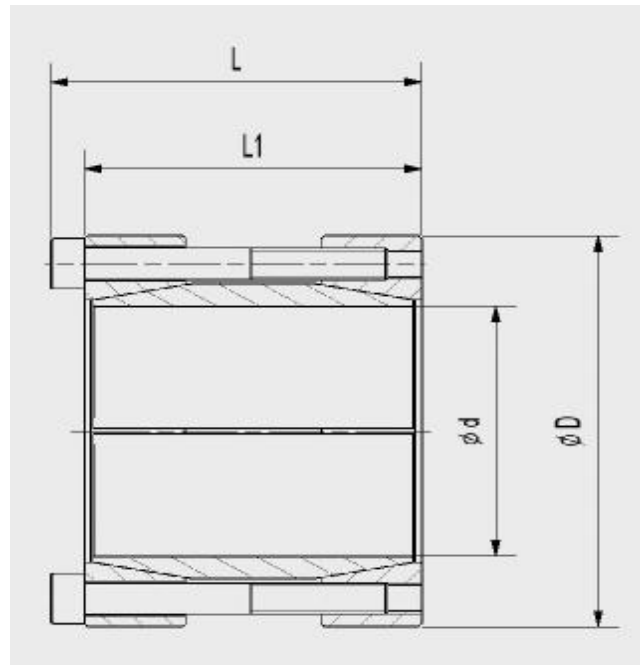


Rigid coupling MAV 1004

rev. 2

Features:

- shaft-to-shaft rigid connection
- low torque capacity
- possible connection of different shaft sizes
- 3-part design
- shaft surface finish $Ra < 3,2 \mu m$
- shaft tolerance: h7 – h9
- screws DIN 912 grade 12.9



Ma: screw tightening torque
 Mt: max. transmissible torque (Fax=0 kN)
 Fax: max. transmissible axial load (Mt=0Nm)
 Ps: contact pressure on shaft

Example of order: MAV1004 – 50 x 90

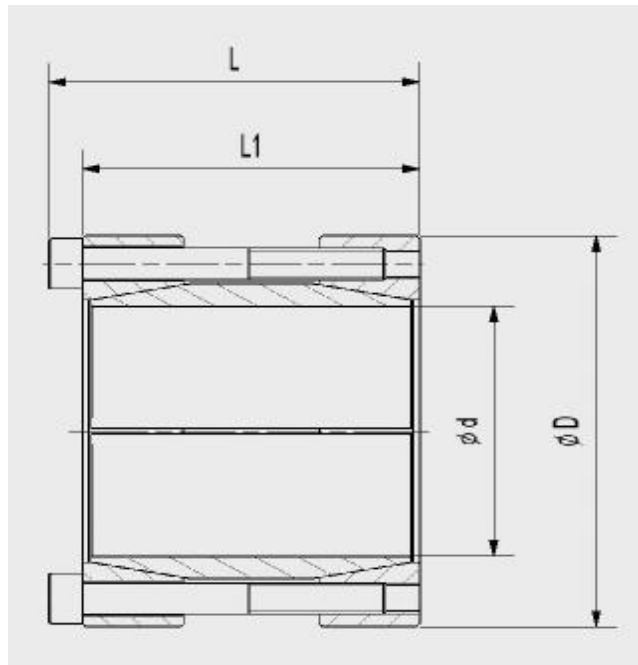
Dimensions				Screws		Performance			Weight	
d	x	D	L	L1	size	Ma	Mt	Fax	Ps	Weight
mm	mm	mm	mm	mm		Nm	Nm	kN	N/mm ²	kg
15	x	45	56	50	M 6	17	170	23	285	0,41
16	x	45	56	50	M 6	17	190	23	267	0,41
17	x	45	56	50	M 6	17	200	23	251	0,39
18	x	50	56	50	M 6	17	210	23	237	0,49
19	x	50	56	50	M 6	17	220	23	225	0,48
20	x	50	56	50	M 6	17	230	23	213	0,48
22	x	55	66	60	M 6	17	380	35	247	0,70
24	x	55	66	60	M 6	17	420	35	227	0,68
25	x	55	66	60	M 6	17	440	35	218	0,66
26	x	60	66	60	M 6	17	450	35	209	0,83
28	x	60	66	60	M 6	17	490	35	194	0,78
30	x	60	66	60	M 6	17	520	35	181	0,75
32	x	65	66	60	M 6	17	560	35	170	0,87
35	x	75	83	75	M 8	41	660	38	146	1,5
38	x	75	83	75	M 8	41	710	38	134	1,4
40	x	75	83	75	M 8	41	750	38	128	1,3
42	x	78	83	75	M 8	41	790	38	121	1,4
45	x	85	93	85	M 8	41	1.300	56	150	2,0

Rigid coupling MAV 1004

rev. 2

Features:

- shaft-to-shaft rigid connection
- low torque capacity
- possible connection of different shaft sizes
- 3-part design
- shaft surface finish $Ra < 3,2 \mu m$
- shaft tolerance: $h7 - h9$
- screws DIN 912 grade 12.9



Ma: screw tightening torque
 Mt: max. transmissible torque ($Fax=0 \text{ kN}$)
 Fax: max. transmissible axial load ($Mt=0 \text{ Nm}$)
 Ps: contact pressure on shaft

Example of order: MAV1004 – 50 x 90

Dimensions		Screws		Performance			Weight		
d	x D	L	L1	size	Ma	Mt	Fax	Ps	
mm	mm	mm	mm		Nm	Nm	kN	N/mm ²	kg
48	x 90	93	85	M 8	41	1.400	56	141	2,2
50	x 90	93	85	M 8	41	1.400	56	135	2,1
55	x 95	93	85	M 8	41	2.100	75	164	2,3
60	x 100	93	85	M 8	41	2.300	75	150	2,4
65	x 105	93	85	M 8	41	2.400	75	139	2,6
68	x 115	110	100	M 10	83	3.100	93	142	3,9
70	x 115	110	100	M 10	83	3.200	93	138	3,7
75	x 120	110	100	M 10	83	3.500	93	128	3,9
80	x 125	110	100	M 10	83	4.900	120	161	4,2
85	x 130	110	100	M 10	83	5.200	120	151	4,4
90	x 135	110	100	M 10	83	5.600	120	143	4,6
95	x 140	110	100	M 10	83	5.900	120	135	4,8
100	x 155	132	120	M 12	145	9.200	180	160	7,6
110	x 165	132	120	M 12	145	10.100	180	145	8,2
120	x 185	132	120	M 12	145	13.800	230	166	11
130	x 195	132	120	M 12	145	15.000	230	154	12

Information subject to change without prior notification. © MAV S.p.A.